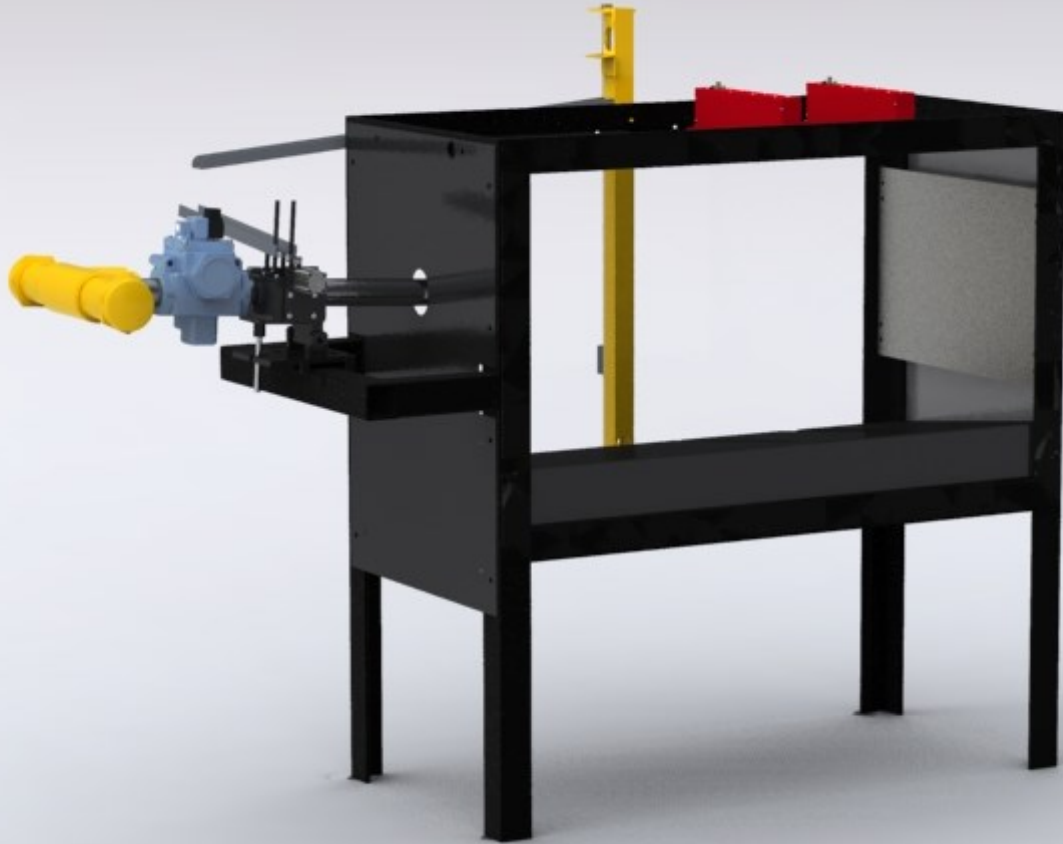


BALL DURABILITY AND COR SYSTEMS



For Golf Balls and Cores

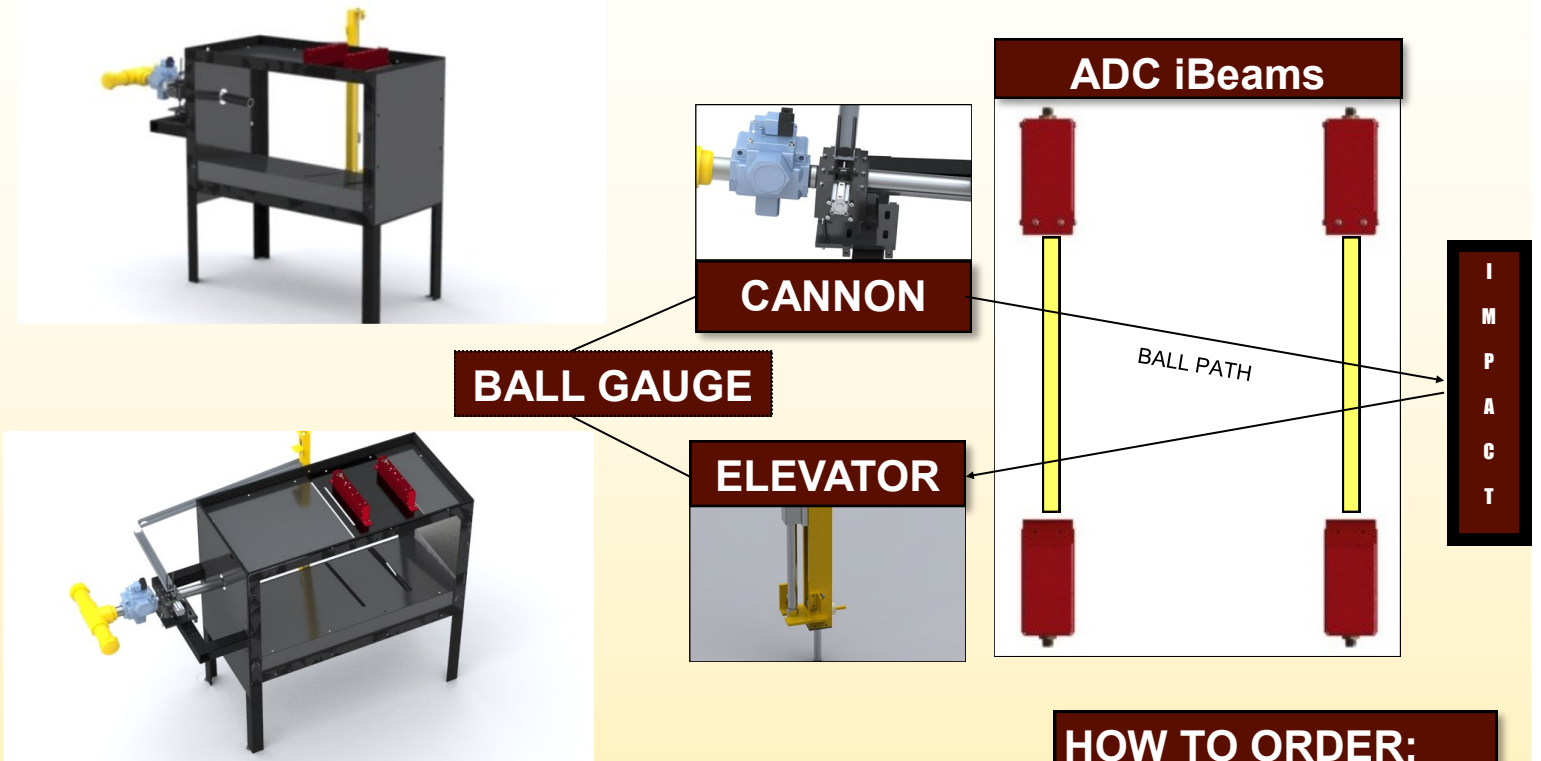


Automated Design Corporation

Ball C.O.R. / Durability

Features:

- ADC iBeams For Calculating Velocity Ratios and COR.
- Uses ADC SportsLogic Software
- Optional Super Cannon for More Accurate Speeds (+/- .5 FPS)
- Ball Angle Sensing
- Single Ball Elevator: Makes Testing Down to One Ball Possible
- Ball Size Gauge for Crack Detection



HOW TO ORDER:

BALL C.O.R. / DURABILITY BASE PRICING:

ADC-BALLCOR	BASE, 2 SETS IBEAMS, CANNON II, NO BALL GAUGE
ADC-SPRCANNON	CHANGE FROM CANNON II TO SUPER CANNON
ADC-BALLGAUGE	ADD BALL GAUGE—BALL SIZING / CHECKING DEVICE
ADC-BALLANGLE	ADD ADDITIONAL IBEAM SET (1 RECEIVER, 1 EMITTER)
ADC-BALLSORT	SORT THE BALLS INTO 3 DIFFERENT BINS BASED ON SOFTWARE SELECTABLE CRITERIA

SOFTWARE

*INCLUDED	ADC SPORTSLOGIC LITE SOFTWARE PLATFORM
ADC-ADVANCED	SPORTSLOGIC PRO ALLOWS FOR STATISTICAL ANALYSIS, BALL SORTING, AND ADVANCED TRACKING OF BALL DATA. (SEE "SPORTSLOGIC" SECTION)

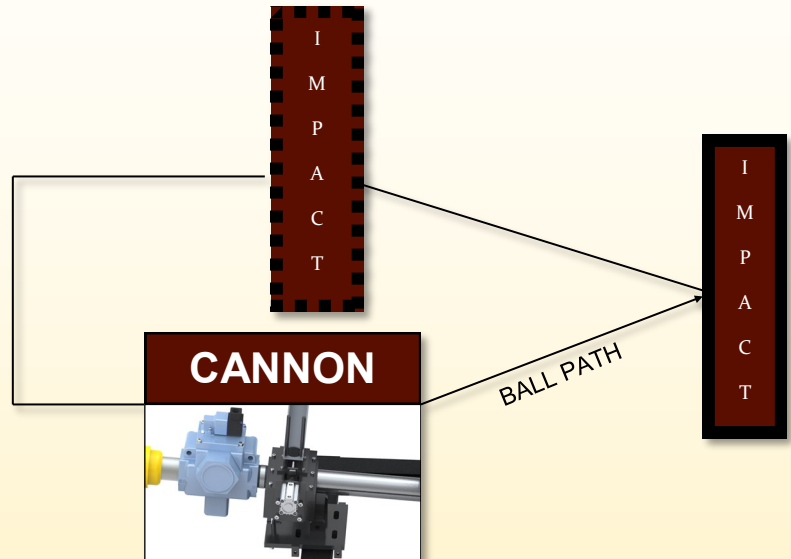
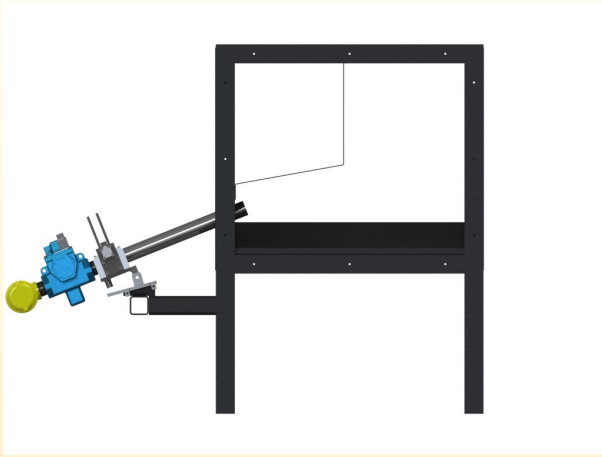
ADDITIONAL OPTIONS

ADC-AIR DRYER	ADC WILL SUPPLY THE SYSTEM WITH A REFRIGERATED AIR DRYER, 15SCFM
ADC-TRNSFRMR	ADC WILL SUPPLY THE SYSTEM WITH A 1 KVA ISOLATION TRANSFORMER

Ball C.O.R. / Durability

Features:

- Smaller overall footprint
- Optional secondary impact for quicker testing.
- No elevator. Balls are gravity fed.
- Manually adjust ball speeds through precision regulator
- Twenty shots per minute
- Lower cost.



HOW TO ORDER:

BALL / PAINT DURABILITY BASE PRICING:

BALLDURA	BASE, 2 SETS IBEAMS, CANNON II, NO BALL GUAGE
SPEEDSENSE	INCLUDE 2 SETS OF 5" SENSORS AND A VELOCIGRAPH FOR VELOCITY OF THE BALL OUT OF THE CANNON
ELECTREG	INCLUDE AN ELECTRONIC REGULATOR FOR ADJUSTING THE CANNON PRESSURE USING A POTENTIOMETER
IMPACT-2	INCLUDE A 2ND STEEL IMPACT PLATE FOR A SECONDARY IMPACT

SOFTWARE / OPERATOR INTERFACE

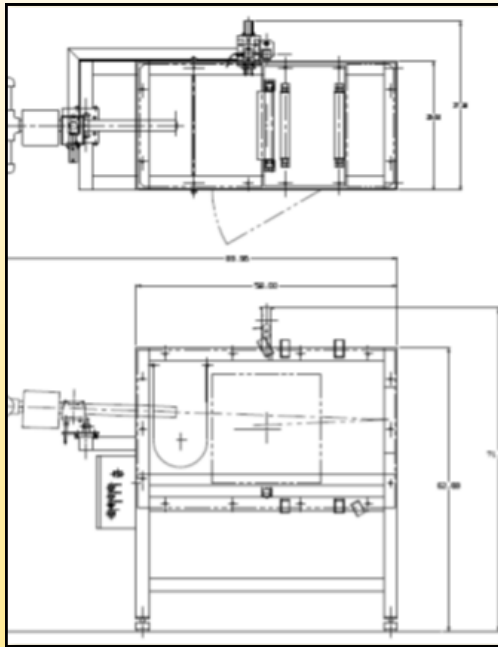
*INCLUDED Operator Interface for selecting number of shots to perform, as well as shot delay

ADDITIONAL OPTIONS

AIR DRYER	ADC WILL SUPPLY THE SYSTEM WITH A REFRIGERATED AIR DRYER, 15SCFM
TRNSFRMR	ADC WILL SUPPLY THE SYSTEM WITH A 1 KVA ISOLATION TRANSFORMER

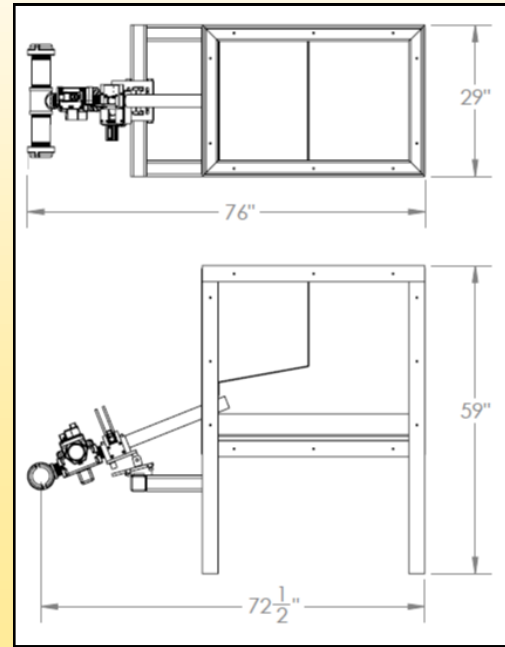
Ball C.O.R. / Durability

Specifications	
Input Power	120VAC, 20 AMP
Input AIR	90 psi, 15 SCFM
Dimensions	40" Wide, 71" Tall, 90 Long
Max Velocity	250 FPS
Mounting	Adjustable Leveling Feet



Ball / Paint Durability

Specifications	
Input Power	120VAC, 20 AMP
Input AIR	90 psi, 15 SCFM
Dimensions	29" Wide, 59" Tall, 76 Long
Max Velocity	250 FPS
Mounting	Adjustable Leveling Feet



Contact ADC

Contact Automated Design using the contact information designated by your region.

Japan

MPS ASIA CO., LTD.
Tsurumi-ku, Shitte 3-6-7, Yokohama
Kanagawa 230-0003 Japan
81-45-584-1309
www.mpsasia.net
ojirotos@mps-asia.co.jp

North and South America and Europe

Automated Design Corporation
1404 Joliet road Suite B
Romeoville, Illinois 60446 USA
630-783-1150
www.automateddesign.com
sales@automateddesign.com

Korea

Tae Men Trading Company
#53-2 Cheong Ryang Ri-Dong
Dong Dae Mum-Gu
Seoul, South Korea
02-860-5662
taemen@kornet.net

China

sales@automateddesign.com

Taiwan

sales@automateddesign.com

Automated Design Corporation